

FERRULES

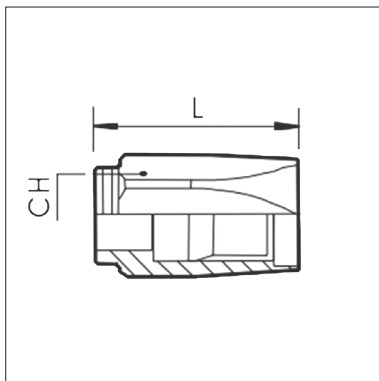
ORIGIN: N/A



RN1 / RN2 FERRULES

FOR FIELD ATTACHABLE FITTINGS (F Series Hose Tails)

TO SUIT R1AT AND R2AT NON-SKIVE HOSES - ORDERED SEPARATELY



Product Code	To Suit Hose	Hose Bore		
		DN	Inch	Size
RN1-04	R1AT-04	06	1/4"	04
RN1-06	R1AT-06	10	3/8"	06
RN1-08	R1AT-08	12	1/2"	08
RN1-10	R1AT-10	16	5/8"	10
RN1-12	R1AT-12	20	3/4"	12
RN1-16	R1AT-16	25	1"	16
RN2-04	R2AT-04	06	1/4"	04
RN2-06	R2AT-06	10	3/8"	06
RN2-08	R2AT-08	12	1/2"	08
RN2-10	R2AT-10	16	5/8"	10
RN2-12	R2AT-12	20	3/4"	12
RN2-16	R2AT-16	25	1"	16